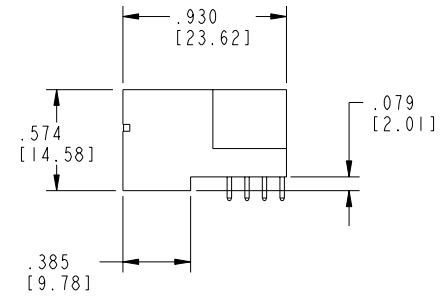
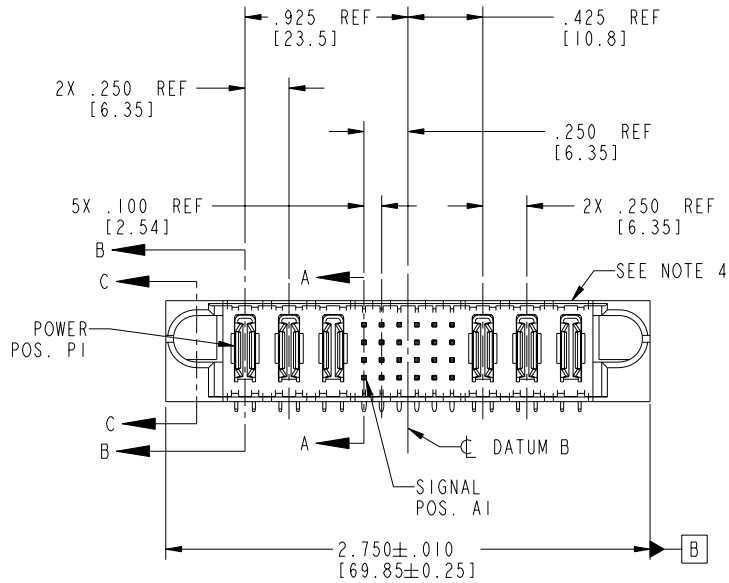


Tous droits strictement réservés. Reproduction ou communication à des tiers interdite sous quelque forme que ce soit sans autorisation écrite du propriétaire. Propriété de c FCI. Droits de reproduction FCI.

All rights strictly reserved. Reproduction or issue to third parties in any form whatever is not permitted without written authority from the proprietor. Property of FCI. Copyright FCI.

PRODUCT NO.	ROWS	POWER			SIGNAL						POWER			E2	
		E1	P1	P2	P3	1	2	3	4	5	6	P4	P5		P6
51730-033	D C B A														
NOTE: ③															



CODE	DIM "M" MATING LENGTH	CONTACT TYPE
E	.220 [5.59]	SIGNAL
H	.220 [5.59]	SIGNAL
R	.270 [6.86]	SIGNAL
S	.270 [6.86]	SIGNAL
T	.270 [6.86]	SIGNAL
U	.270 [6.86]	SIGNAL
PA	N/A [N/A]	POWER

mat'l code				SEE NOTE 2		tolerances unless otherwise specified		CUSTOMER		 www.fciconnect.com	
ltr	ecn no.	dr	date	linear	.XX±.01/0.X±0.3	projection	COPY		title		
A	V12240	JRW	09/24/01		.XXX±.005/0.XX±0.13		A		3P + 24S + 3P		
B	V21291	CGD	09/10/02	angles	.XXX±.0020/0.XXX±0.051		INCH/MM		RIGHT ANGLE SOLDER HEADER		
C	DG05-0231	SJ	07/18/05	dr	0°±2°	scale	1:1		product family	PwrBlade	code
D	DG05-0560	CS	12/26/05	enrg			A		size	51730-033	213
				chr	M. MOSTOLLER				dwg no		sheet
				appd	M. MOSTOLLER						1 of 4
sheet index	revision sheet	D 1	D 2	D 3	D 4						

cage code 22526 4

PDM: Rev:D

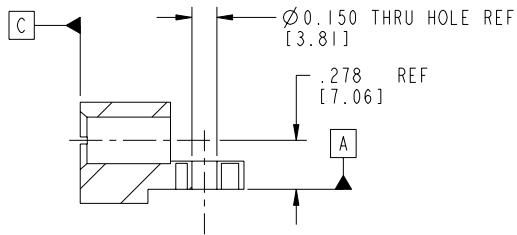
STATUS: Released

Printed: Aug 12, 2007

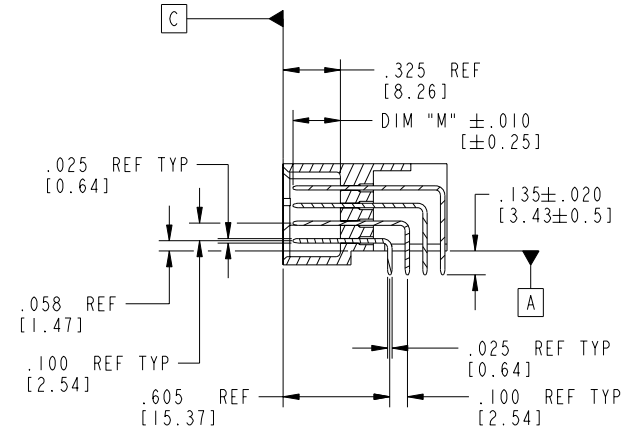
Tous droits strictement réservés. Reproduction ou communication à des tiers interdite sous quelque forme que ce soit sans autorisation écrite du propriétaire. Propriété de FCI. Droits de reproduction FCI.

All rights strictly reserved. Reproduction or issue to third parties in any form whatever is not permitted without written authority from the proprietor. Property of FCI. Copyright FCI.

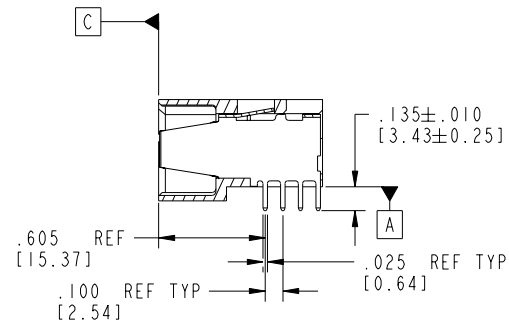
PRODUCT NUMBER  
51730-033--  
NOTE: ③



SECTION C-C



SECTION A-A



SECTION B-B

mat'l code		SEE NOTE 2		tolerances unless otherwise specified		CUSTOMER		 www.fciconnect.com	
ltr	ecn no.	dr	date	linear	.XX±.01/0.X±0.3	COPY		title	
D					.XXX±.005/0.XX±0.13	projection		3P + 24S + 3P	
				angles	.XXX±.0020/0.XXX±0.051			RIGHT ANGLE SOLDER HEADER	
				dr	0°±2°	INCH/MM		product family	
				engr	C. DAILY 09/10/02	scale		PwrBlade	
				chr	M. MOSTOLLER 09/10/02	1:1		code	
				appd	M. MOSTOLLER 09/10/02			213	
sheet index	revision sheet							size	
								51730-033	
								sheet	
								2 of 4	

cage code 22526

Pro/E

PDM: Rev:D

STATUS: Released

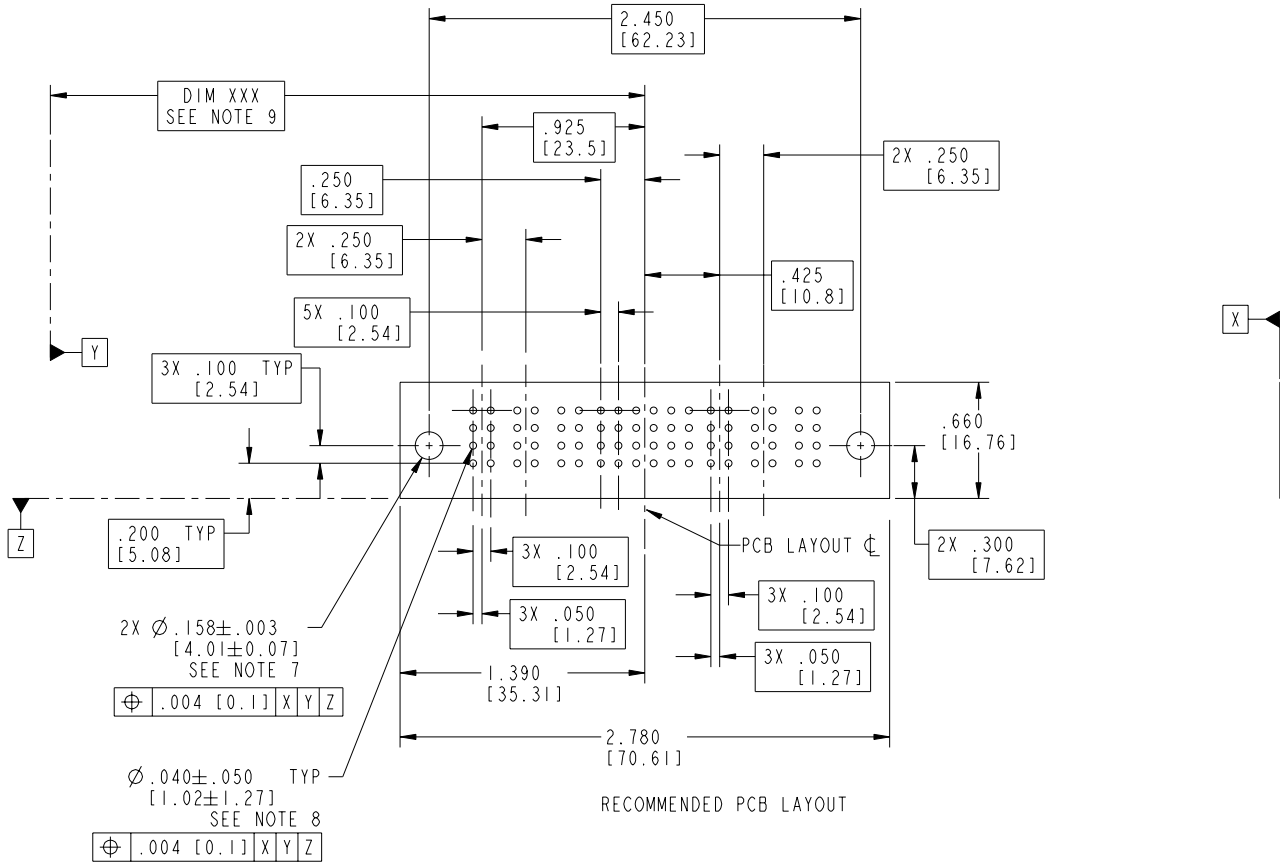
Printed: Aug 12, 2007

Tous droits strictement réservés. Reproduction ou communication à des tiers interdite sous quelque forme que ce soit sans autorisation écrite du propriétaire. Propriété de c FCI. Droits de reproduction FCI.

All rights strictly reserved. Reproduction or issue to third parties in any form whatever is not permitted without written authority from the proprietor. Property of FCI. Copyright FCI.

**FCI**

PRODUCT NUMBER  
51730-033\_-  
NOTE: (3)



mat'l code				SEE NOTE 2		tolerances unless otherwise specified		CUSTOMER		<b>FCI</b>		www.fciconnect.com	
ltr	ecn no.	dr	date	linear	.XX±.01/0.X±0.3	projection	COPY	title				3P + 24S + 3P	
D				angles	.XXX±.005/0.XX±0.13	INCH/MM		RIGHT ANGLE SOLDER HEADER				code	
				dr	.XXX±.0020/0.XXX±0.051	1:1		product family				PwrBlade	
				enrg	0°±2°	scale		size				213	
				chr	C. DAILY 09/10/02	A		dwg no				sheet	
				appd	M. MOSTOLLER 09/10/02	51730-033		3 of 4					
sheet index		revision sheet											

cage code 22526

Pro/E

PDM: Rev:D

STATUS: Released

Printed: Aug 12, 2007


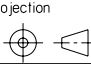
Tous droits strictement réservés. Reproduction ou communication à des tiers interdite sous quelque forme que ce soit sans autorisation écrite du propriétaire. Propriété de c FCI. Droits de reproduction FCI.

All rights strictly reserved. Reproduction or issue to third parties in any form whatever is not permitted without written authority from the proprietor. Property of FCI. Copyright FCI.

PRODUCT NUMBER  
51730-033\_-  
NOTE: ③

NOTES:

1. DIMENSIONS AND TOLERANCES ARE IN ACCORDANCE WITH ASME Y14.5M, 1994 UNLESS OTHERWISE SPECIFIED.
- CONNECTORS NOTES:
- ② HOUSING MATERIAL: UL 94 V-0 GLASS FILLED HIGH TEMP THERMO PLASTIC  
POWER CONTACT MATERIAL: COPPER ALLOY  
SIGNAL PIN MATERIAL: COPPER ALLOY
- ③ PLATING:  
51730-033, 51730-033LF, PLATING SPEC SEE PRINT: 100064183.
4. "MANUFACTURER" NAME, P/N, AND DATE CODE TO APPEAR ON THIS SURFACE.
5. PRODUCT SPECIFICATION GS-12-149.
- PCB - NOTES:
6. ALL HOLE DIAMETERS ARE FINISHED HOLE SIZE.
- ⑦ HOLD DOWN THROUGH HOLES ARE UNPLATED.
- ⑧  $\varnothing .0453 \pm 0.0010$  [1.151  $\pm$  0.025] DRILLED HOLES PLATED WITH 0.0003 [0.008] MIN SnPb OVER .001 [0.03] TO .003 [0.08] Cu PLATING TO ACHIEVE  $\varnothing .040 \pm .003$  [1.02  $\pm$  .07] HOLE.
- ⑨ "DIM XXX" TO BE DETERMINED BY THE CUSTOMER.

mat'l code				SEE NOTE 2				tolerances unless otherwise specified				CUSTOMER				 www.fciconnect.com			
ltr	ecn no.	dr	date	linear	.XX±.01/0.X±0.3				COPY				projection	title					
D					.XXX±.005/0.XX±0.13				INCH/MM					3P + 24S + 3P RIGHT ANGLE SOLDER HEADER					
				angles	XXXX±.0020/0.XXX±0.051								product family						
				dr	0° ± 2°				scale				PwrBlade						
				engr	C. DAILY 09/10/02				1:1				code						
				chr	M. MOSTOLLER 09/10/02				A				213						
				appd	M. MOSTOLLER 09/10/02								sheet						
sheet index				revision sheet								4 of 4							

cage code 22526 4